

**CADDET<sup>®</sup>**

**SAFETY & QUALITY**

# **PRODUCT PARTS**

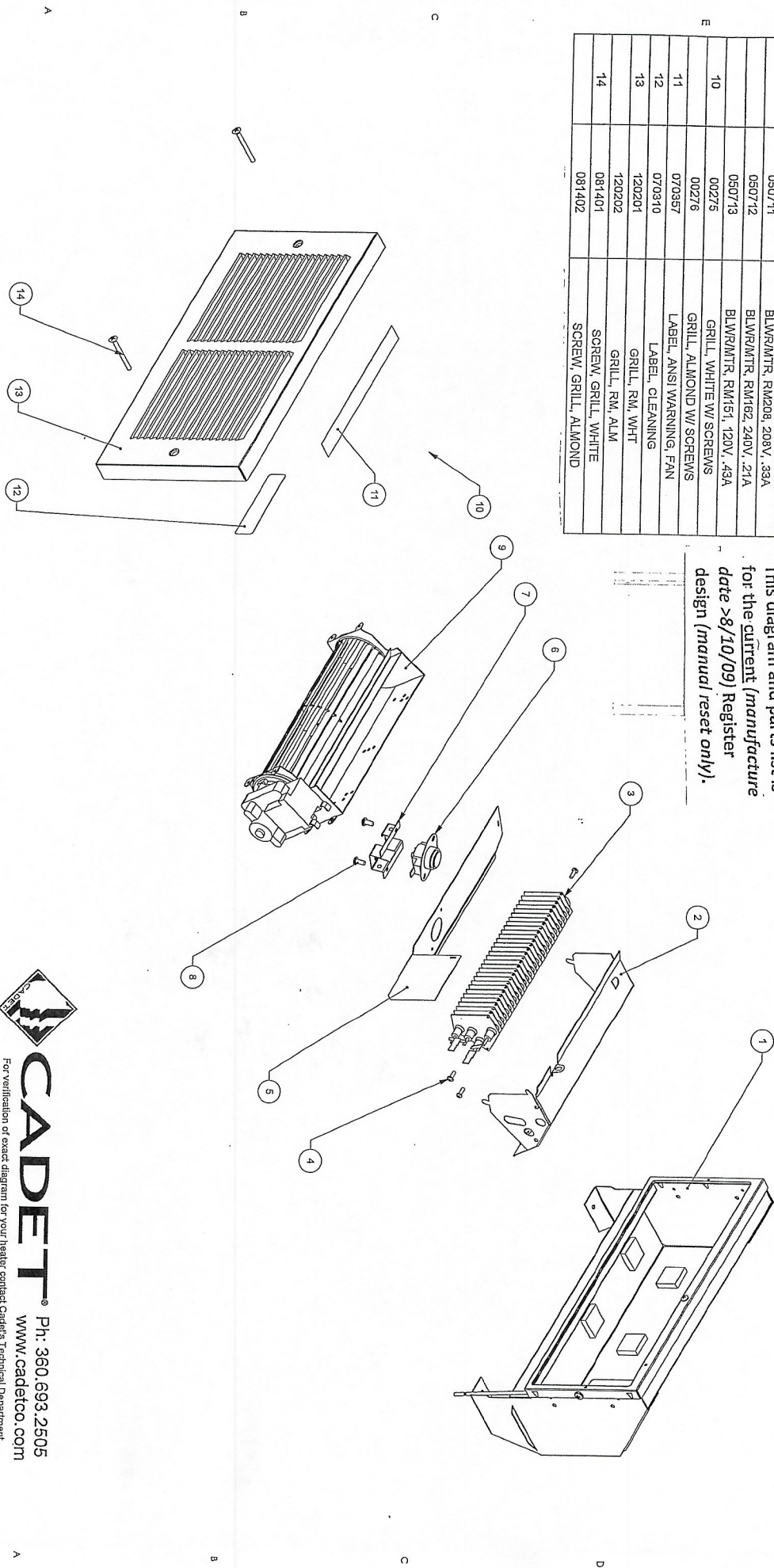
---

ITEM NO.	PART NUMBER	DESCRIPTION
1	63115	ASSY WALL CAN, RM, BLK
2	120128	HEATBOX, RM
3	053953	ELMT, RM222, 2250W, 240V
	053934	ELMT, RM202, 2000W, 240V
	053935	ELMT, RM162, 700-900-1600W, 240V
	053936	ELMT, RM151, 500-1000-1500W, 120V
	053937	ELMT, RM208, 2000W, 208V
4	060101	SCREW #5 X 3/8 AB PP ST ZPL W/SERR
5	120142	HEATBOX COVER, RM, FAB
6	053113	LIMIT RESET, RM, UC, 60T15 208F
7	120109	COVER, LIMIT, FAB
8	060103	SCREW #9AB X 3/8 QUAD PAN SMS ZINC
9	050710	BLWR/MTR, RM202, 240V, .33A
	050711	BLWR/MTR, RM208, 208V, .33A
	050712	BLWR/MTR, RM162, 240V, .21A
	050713	BLWR/MTR, RM151, 120V, .43A
10	002275	GRILL, WHITE W/ SCREWS
	002276	GRILL, ALMOND W/ SCREWS
11	070357	LABEL, ANSI WARNING, FAB
12	070310	LABEL, CLEANING
13	120201	GRILL, RM, WHT
	120202	GRILL, RM, ALM
14	081401	SCREW, GRILL, WHITE
	081402	SCREW, GRILL, ALMOND

## RM ASSEMBLY EXPLODED VIEW

CREATED JUNE, 2011

This diagram and parts list is for the current (manufacture date >8/10/09) Register design (manual reset only).



**CADET** Ph: 360.693.2605  
 www.cadeco.com  
 For verification of exact diagram for your heater contact Cadet's Technical Department.

B

7

6

5

4

3

2

A

B

C

D

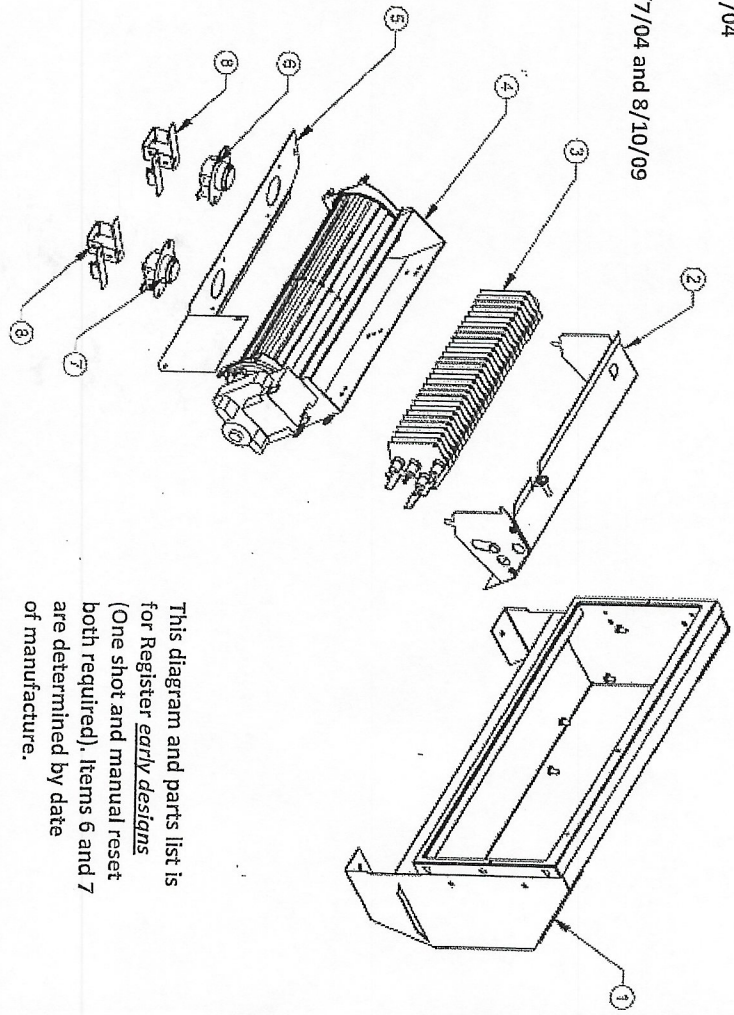
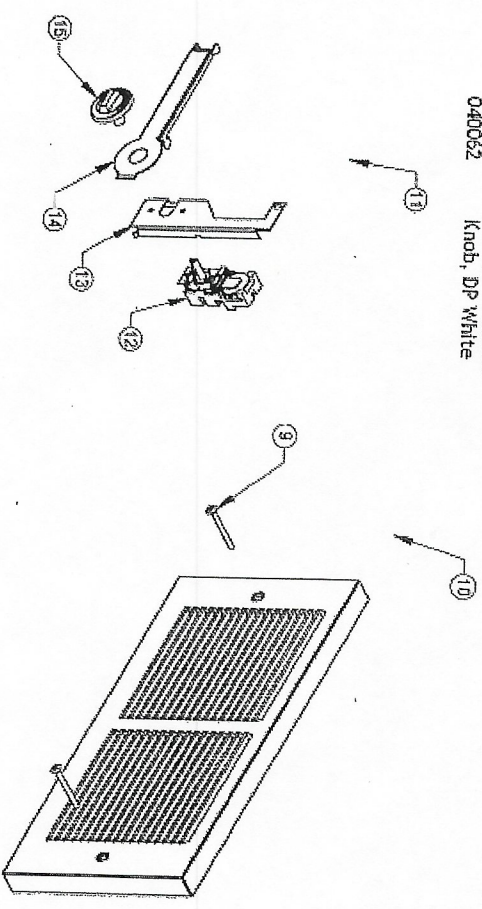
E

F

**THE REGISTER PLUS**  
**RM Series**  
**EARLY DESIGNS**

Item #	Part #	Description
1	63115	Wall Can
2	N/A	Housing, Rear
3	053936	Element, RM151(500/1000/1500W/120V)
	053935	Element, RM162 (700-900-1600W/240V)
	053934	Element, RM 202 (2000W/240V)
	053937	Element, RM 208 (2000W/208V)
4	050713	Motor/Blower 120V (RMA 151)
	050711	Motor/Blower 208V (RMA 208)
	050712	Motor/Blower 240V (RMA 162)
	050710	Motor/Blower 240V (RMA 202)
5	N/A	Housing, Front
6	120109	One-shot, Limit Kit (inc. 2 rivets/2 screws)
7	120750	Limit, Manual
8	120702	Cover, Limit
9	120704	Parts Package, Screws (2) Almond
10	00275	Parts Package, Screws (2) White
11	00276	Gill, Almond w/Screws
12	63123	Kit, In-built Thermostat Wht. (RMTZW)
13	63124	Kit, In-built Thermostat Alm. (RMTZA)
14	051226	Thermostat Only DP
15	120115	Bracket, Thermostat
	120120	Face Plate, Thermostat Almond
	120116	Face Plate, Thermostat White
	040032	Knob, DP Almond
	040062	Knob, DP White

Manufactured prior to 9/7/04  
 6 Part 120750  
 7 Part 053110  
 Manufactured between 9/7/04 and 8/10/09  
 6 Part 100750  
 7 Part 053113



This diagram and parts list is for Register *early designs* (One shot and manual reset both required). Items 6 and 7 are determined by date of manufacture.



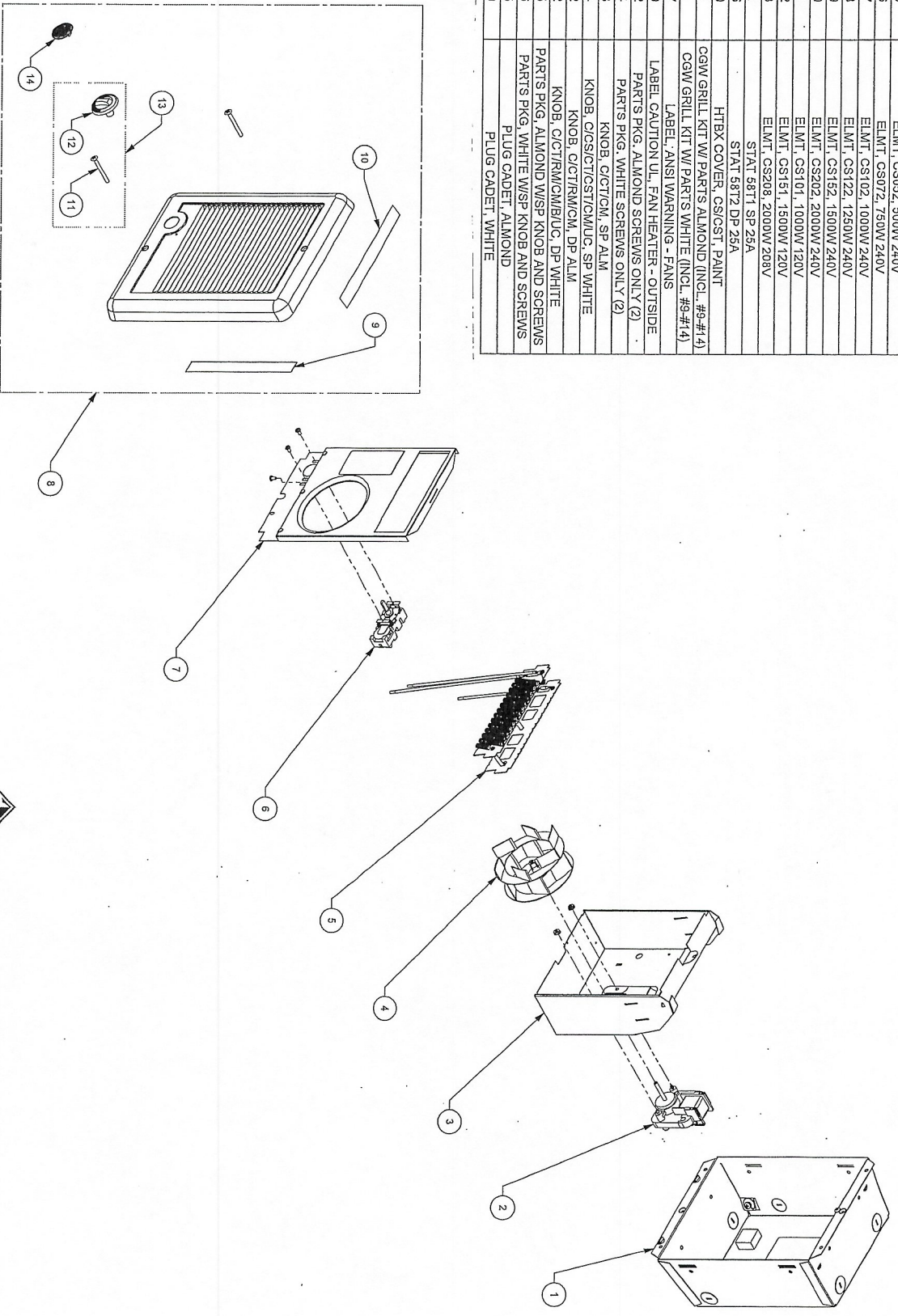
**CADET**

Ph: 360.693.2505

For more information, visit our website at [www.cadet.com](http://www.cadet.com) or call our toll-free number at 1-800-360-6933.

**THE COM-PAK PLUS**  
**CS SERIES ASSEMBLY EXPLODED VIEW**  
 CREATED JULY, 2011

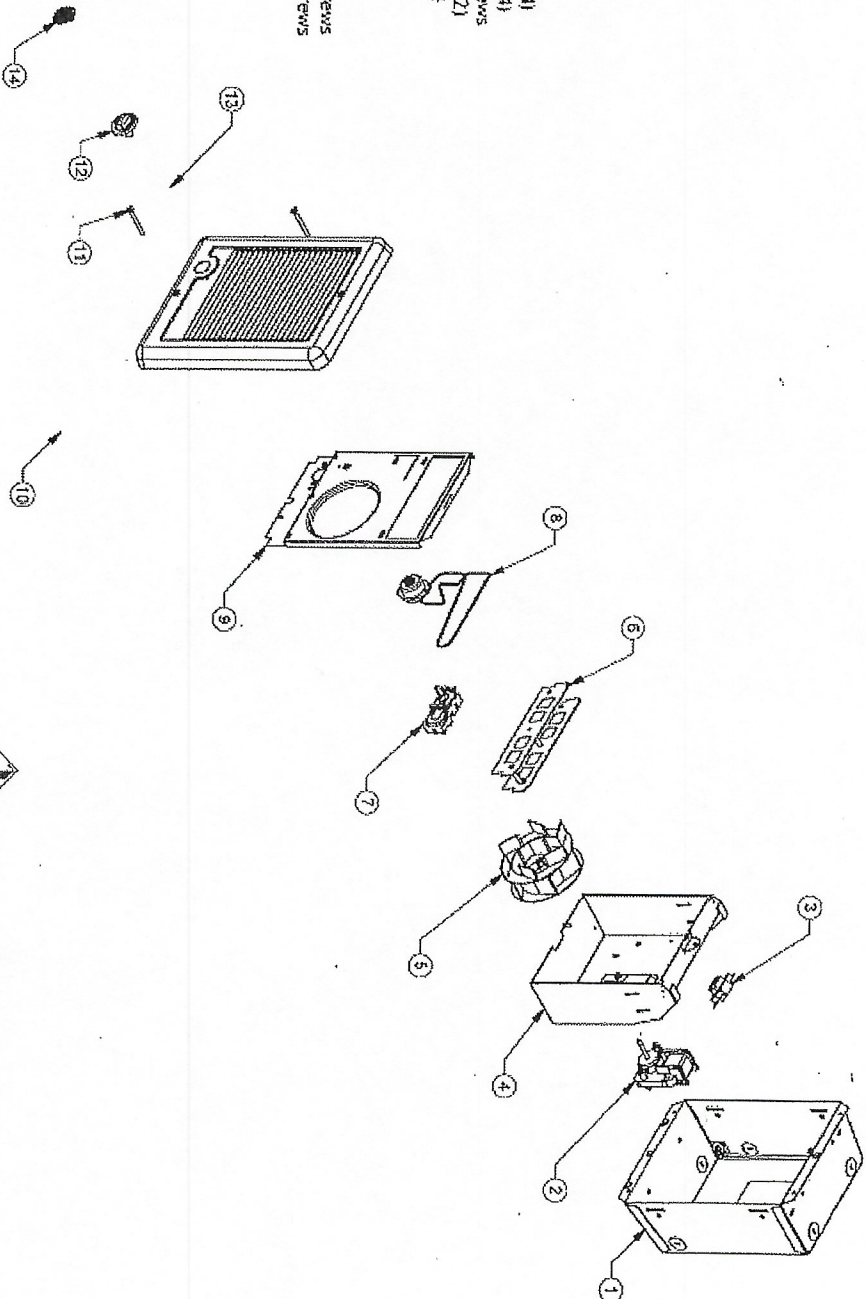
ITEM NUMBER	PART NUMBER	DESCRIPTION
1	67051	CG / CS GMPK WALL CAN
2	051402	MOTOR, C/CS/CT/CS/CM, 2000W/240V, .195A
	051406	MOTOR, C/CS/CT/CS/CM, 208V
	051421	MOTOR, C/CS/CT/CS/CM/GB, 240V SLOW
	051422	MOTOR, C/CS/GB, 120V, .30A
3	100520	HTBX, CS/CSST, PAINT
4	040040	BLOWER, 1 PIECE, C/CS/CT/CS/CM/GB, PLASTIC
5	054055	ELMT, CS052, 500W/240V
	054056	ELMT, CS072, 750W/240V
	054057	ELMT, CS102, 1000W/240V
	054058	ELMT, CS122, 1250W/240V
	054059	ELMT, CS152, 1500W/240V
	054080	ELMT, CS202, 2000W/240V
	054061	ELMT, CS101, 1000W/120V
	054062	ELMT, CS151, 1500W/120V
	054063	ELMT, CS208, 2000W/208V
6	051211	STAT 58T1 SP 25A
	051206	STAT 58T2 DP 25A
7	100120	HTBX COVER, CS/CSST, PAINT
8	67075	GGW GRILL KIT W/ PARTS ALMOND (INCL. #9-#14)
9	67079	CGW GRILL KIT W/ PARTS WHITE (INCL. #9-#14)
10	070357	LABEL, ANSI WARNING - FANS
11	070370	LABEL, CAUTION UL, FAN HEATER - OUTSIDE
12	120702	PARTS PKG, ALMOND SCREWS ONLY (2)
	120704	PARTS PKG, WHITE SCREWS ONLY (2)
	040003	KNOB, C/CT/CM, SP ALM
	040004	KNOB, C/CS/CT/CS/CM/GB, SP WHITE
	040032	KNOB, C/CT/CM/GB, DP ALM
	040062	KNOB, C/CT/CM/GB/BUZ, DP WHITE
13	100705	PARTS PKG, ALMOND W/SP KNOB AND SCREWS
	100706	PARTS PKG, WHITE W/SP KNOB AND SCREWS
14	040015	PLUG CADET, ALMOND
	040010	PLUG CADET, WHITE



**CADET**<sup>®</sup> Ph: 360.693.2505  
 www.cadetco.com  
 For verification of exact diagram for your heater contact Cadet's Technical Department.

## THE COM-PAK PLUS C Series

Item #	Part #	Description
1	67061	Cab. Wall
2	051422	Motor 120V (All 120V Models)
	051406	Motor 208V Only
	051421	Motor 240V Slow (750-1500W)
	051402	Motor 240V Fast (2000-2250W)
3	100750	One Shot, Limit Kit (inc. 2 rivets/2 screws)
4	N/A	Housing, Rear
5	040040	Blower
6	054002	Element 1000W 120V (C101)
	054005	Element 1500W 120V (C151)
	054022	Element 500W 120V (C052)
	054004	Element 750W 240V (C072)
	054007	Element 1000W 240V (C102)
	054020	Element 1250W 240V (C122)
	054012	Element 1500W 240V (C152)
	054015	Element 2000W 240V (C202)
	054014	Element 2000W 208V (C208)
7	051211	Stat T1 SP (2 wire)
	051206	Stat T2 DP (4 wire)
8	053112	Limit Switch, Manual
9	N/A	Housing, Front
10	67075	Grill Kit, Alm. (includes #11-#14)
	67079	Grill Kit, Whc. (includes #11-#14)
	10072	Grill Kit, Brass w/SP knob & screws
11	120702	Parts Pkg, Almond Screws Only (2)
	120704	Parts Pkg, White Screws Only (2)
12	040003	Knob, Almond SP
	040032	Knob, Almond DP
	040004	Knob, White SP
	040062	Knob, White DP
13	100705	Parts Pkg, Alm. w/SP Knob & screws
	100706	Parts Pkg, Whc. w/SP Knob & screws
14	040015	Plug, Almond, 7/8" Hole X/C
	040010	Plug, White, 7/8" Hole X/C



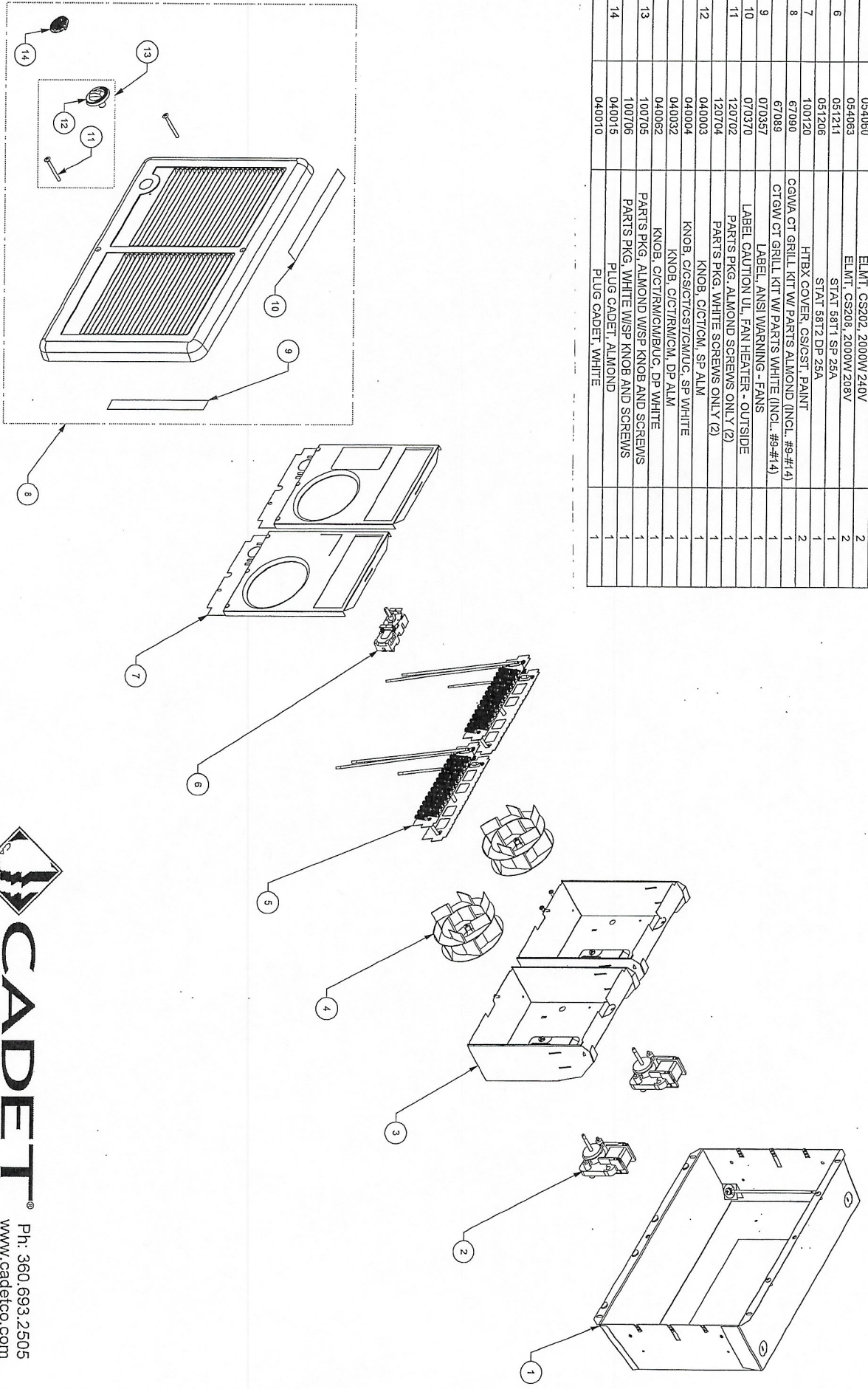
**CADETT**

Ph: 360.693.2505

Approximate only. For verification of exact design for your model contact CadeTT or your local distributor.

**THE COM-PAK PLUS**  
**CST SERIES ASSEMBLY EXPLODED VIEW**  
 CREATED AUGUST, 2011

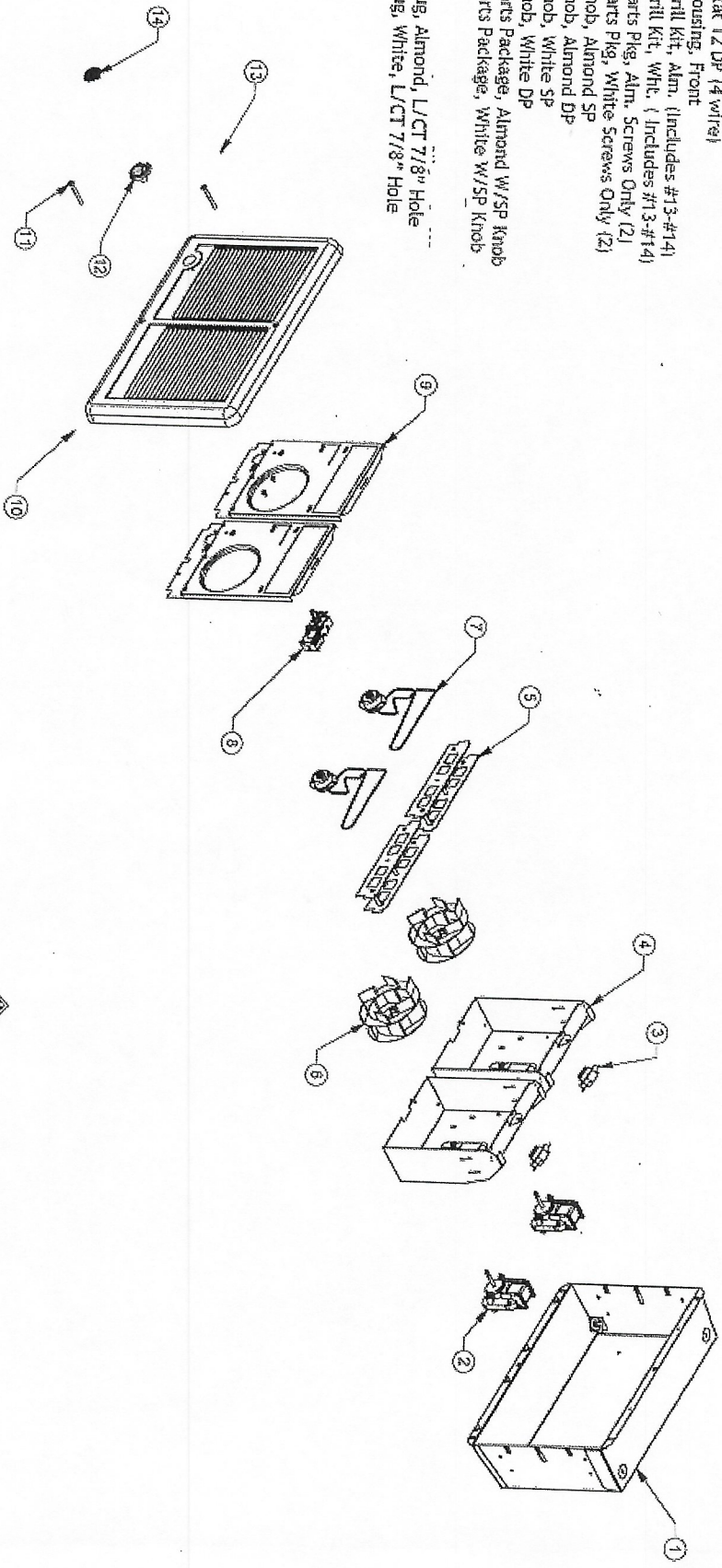
ITEM NUMBER	PART NUMBER	DESCRIPTION	QTY REQUIRED
1	68005	WALL CAN, CST, SL, BLK	1
2	051402	MOTOR, C/GS/CT/ST/CM, 2000W/240V, 195A	2
3	051406	MOTOR, C/GS/CT/ST/CM, 208V	2
4	051421	MOTOR, C/GS/CT/ST/CM/CP, 240V SLOW	2
5	100520	HTBX, CS/CT, PAINT	2
6	040040	BLOWER, 1 PIECE, C/GS/CT/ST/CM/CP, PLASTIC	2
7	054059	ELMT, CS192, 1800W/240V	2
8	054063	ELMT, CS202, 2000W/240V	2
9	051211	ELMT, CS208, 2000W/208V	2
10	051206	STAT 5811, SP 25A	1
11	100720	STAT 5812, DP 25A	1
12	67090	HTBX COVER, GS/CT, PAINT	2
13	67089	CGWA CT GRILL KIT W/ PARTS ALMOND (INCL. #9-#14)	1
14	070357	CT GW CT GRILL KIT W/ PARTS WHITE (INCL. #9-#14)	1
15	070370	LABEL, CAUTION UL, FAN HEATER - FANS	1
16	120702	LABEL, CAUTION UL, FAN HEATER - OUTSIDE	1
17	120704	PARTS PKG, ALMOND SCREWS ONLY (2)	1
18	040003	PARTS PKG, WHITE SCREWS ONLY (2)	1
19	040004	KNOB, C/GT/CM, SP ALM	1
20	040032	KNOB, C/GS/CT/ST/CM/UC, SP WHITE	1
21	040062	KNOB, C/CT/RM/CM, DP ALM	1
22	100705	KNOB, C/CT/RM/CM/BUG, DP WHITE	1
23	100706	PARTS PKG, ALMOND W/SP KNOB AND SCREWS	1
24	040015	PARTS PKG, WHITE W/SP KNOB AND SCREWS	1
25	040010	PLUG CADET, ALMOND	1
26	040010	PLUG CADET, WHITE	1



**CADET**<sup>®</sup> Ph: 360.693.2505  
 www.cadetco.com  
 For verification of exact diagram for your heater contact Cadet's Technical Department.

## COM-PAK TWIN PLUS CT Series

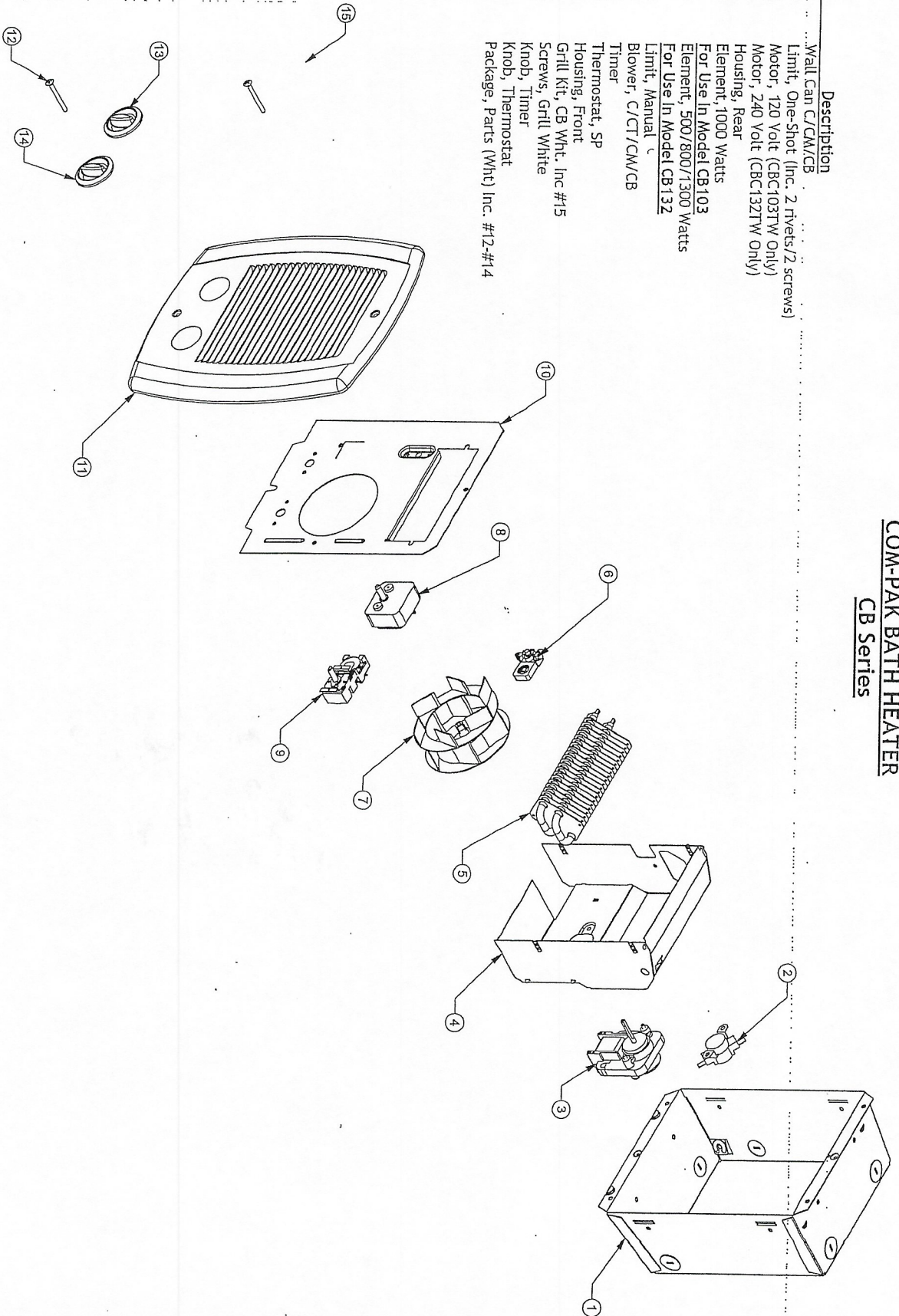
Item #	Part #	Description
1	68005	Can, Wall
2	051421	Motor 240V Slow (CT302) (2 Required)
3	051402	Motor 240V Fast (CT402)
4	051406	Motor 208V (CT408)
5	100750	Limit, One-shot (inc. 2 rivets/2 screws) (2 Required)
6	N/A	Housing, Rear
7	040040	Blower (2 Required)
8	054012	Element 1500W 240V (CT302) 2 Req'd
9	054014	Element 2000W 208V (CT408)
10	054015	Element 2000W 240V (CT402)
11	053112	Limit Switch, Manual (2 Required)
12	051211	Stat T1 SP (2 wire)
13	051206	Stat T2 DP (4 wire)
14	N/A	Housing, Front
15	67090	Grill Kit, Alm. (Includes #13-#14)
16	67089	Grill Kit, Wht. (Includes #13-#14)
17	120702	Parts Pkg, Alm. Screws Only (2)
18	120704	Parts Pkg, Wht. Screws Only (2)
19	040003	Knob, Almond SP
20	040032	Knob, Almond DP
21	040004	Knob, White SP
22	040062	Knob, White DP
23	100705	Parts Package, Almond w/SP Knob
24	100706	Parts Package, White w/SP Knob
25	040015	Plug, Almond, L/CT 7/8" Hole
26	040010	Plug, White, L/CT 7/8" Hole



For more information, visit our website at [www.cadet.com](http://www.cadet.com) or call 1-800-360-6933.

## COM-PAK BATH HEATER CB Series

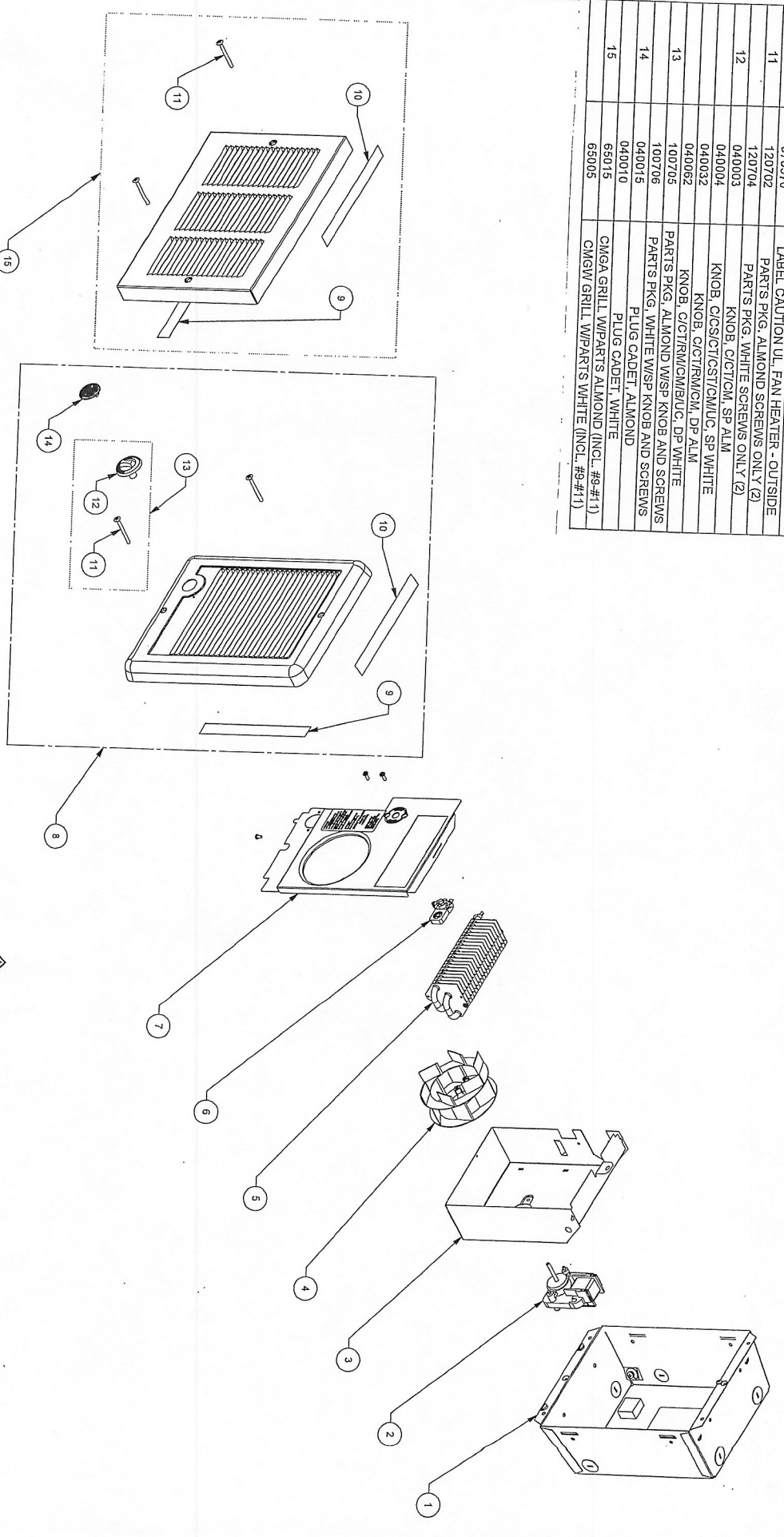
Item #	Part #	Description
1	67061	Wall Can C/CW/CB
2	100850	Limit, One-Shot (Inc. 2 rivets/2 screws)
3	051422	Motor, 120 Volt (CBC103TW Only)
4	051421	Motor, 240 Volt (CBC132TW Only)
5	N/A	Housing, Rear
	054051	Element, 1000 Watts
	054050	For Use In Model CB103
		Element, 500/800/1300 Watts
		For Use In Model CB132
		Limit, Manual
		Blower, C/CT/CW/CB
6	053116	Timer
7	040040	Thermostat, SP
8	050522	Housing, Front
9	051215	Grill Kit, CB Wht. Inc #15
10	N/A	Screws, Grill White
11	65110	Knob, Timer
12	120704	Knob, Thermostat
13	040007	Package, Parts (Wht) Inc. #12-#14
14	040005	
15	170205	





ITEM NUMBER	PRT NUMBER	DESCRIPTION
1	67061	CC / CS CMPK WALL CAN
2	051402	MOTOR, C/CS/CT/ST/CM, 2000W/240V, .195A
3	051406	MOTOR, C/CS/CT/ST/CM, 200W
4	130152	MOTOR, C/CS/CT/ST/CM/CR, 240V SLOW
5	040040	HTBX, CM202 CM162, BLACK
6	053945	BLOWER, 1 PIECE, C/CS/CT/ST/CM/CR, PLASTIC
7	053946	ELMT, CM162, 700-900-1600 240V
8	053948	ELMT, CM202, 500-700-800-2000 240V
9	053116	ELMT, CM208, 500-700-800-2000 208V
10	130200	LIMIT RESET, 70C, CB CM CE
11	67075	HTBX COVER, CM, BLACK
12	67079	CGW/GRILL KIT W/ PARTS ALMOND (INCL. #9-#14)
13	070357	CGW GRILL KIT W/ PARTS WHITE (INCL. #9-#14)
14	120702	LABEL, ANSI WARNING - FANS
15	120704	LABEL GAUTION UL, FAN HEATER - OUTSIDE
	040003	PARTS PKG. ALMOND SCREWS ONLY (2)
	040004	PARTS PKG. WHITE SCREWS ONLY (2)
	040032	KNOB, C/CT/CM, SP ALM
	040062	KNOB, C/CT/CM/CM, SP WHITE
	100705	KNOB, C/CT/CM/CM, DP ALM
	100706	KNOB, C/CT/CM/CM, DP WHITE
	040015	PARTS PKG. ALMOND W/SP KNOB AND SCREWS
	040010	PARTS PKG. WHITE W/SP KNOB AND SCREWS
	65015	PLUG CADET, ALMOND
	65005	PLUG CADET, WHITE
		CMGA GRILL W/PARTS ALMOND (INCL. #9-#11)
		CMGW GRILL W/PARTS WHITE (INCL. #9-#11)

**THE COM-PAK MAX**  
**CM SERIES ASSEMBLY EXPLODED VIEW**  
 CREATED AUGUST, 2011



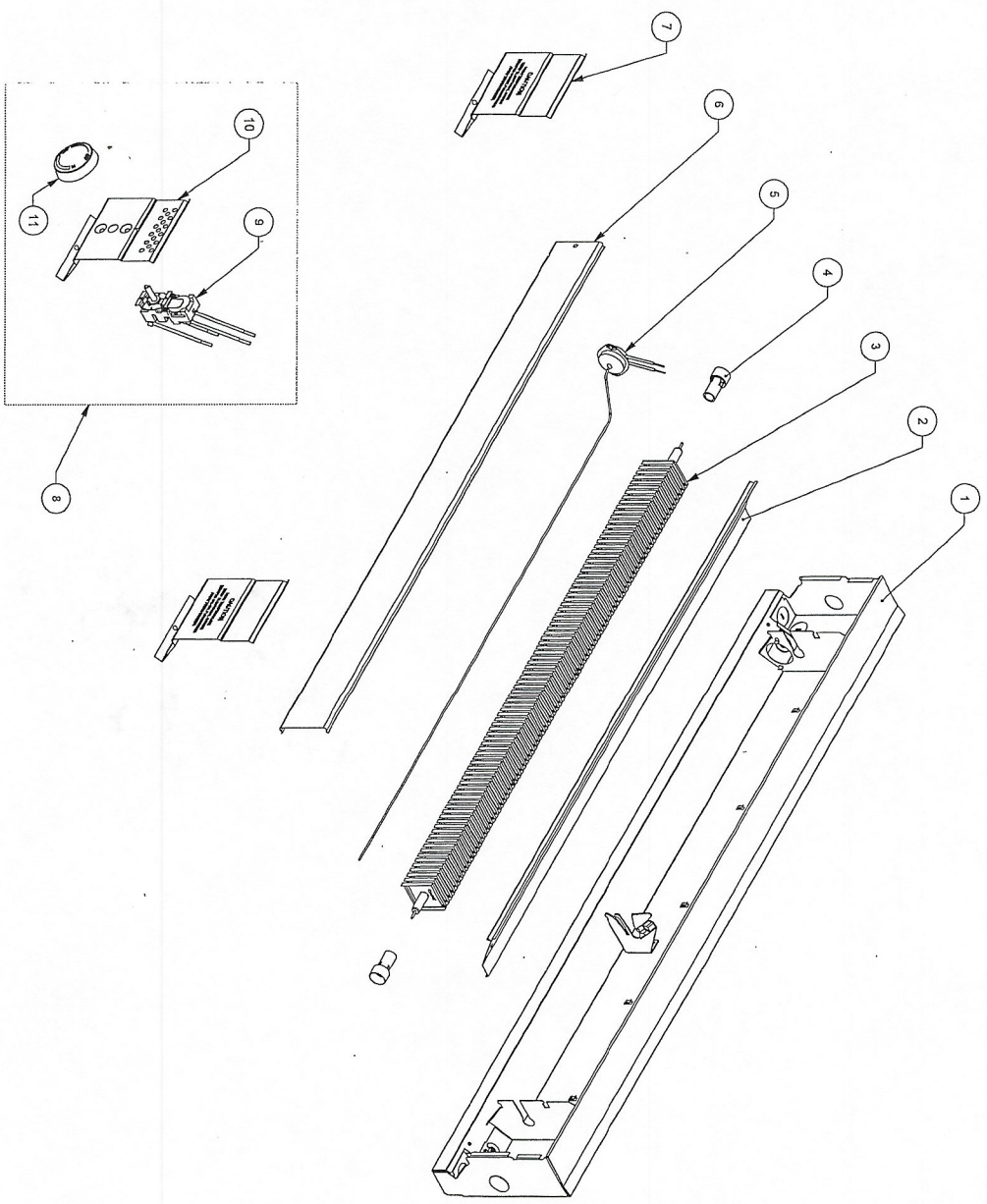
**CADET**  
 Ph: 360.693.2505  
 www.cadeco.com

For verification of exact diagram for your heater contact Cadet's Technical Department.

ITEM NO.	PART NUMBER	DESCRIPTION
1	300500	ASSEMBLY, CASE, CHART DWG
2	300200	DEFLECTOR, BB, F SERIES, CHART DWG
3	302212	REPL ELMT FINNED, 2F 500W/120V
	302213	REPL ELMT FINNED, 3F 750W/120V
	302214	REPL ELMT FINNED, 4F 1000W/120V
	302216	REPL ELMT FINNED, 6F 1500W/120V
	302201	REPL ELMT FINNED, 2F 350W/240V
	302202	REPL ELMT FINNED, 2.5F 500W/240V
	302203	REPL ELMT FINNED, 3F 750W/240V
	302204	REPL ELMT FINNED, 4F 1000W/240V
	302205	REPL ELMT FINNED, 5F 1250W/240V
	302206	REPL ELMT FINNED, 6F 1500W/240V
	302208	REPL ELMT FINNED, 8F 2000W/240V
	302210	REPL ELMT FINNED, 8F 2500W/240V
	302226	REPL ELMT FINNED, 8F2025 2000/2500W/240V
	302209	REPL ELMT FINNED, 10F 2500W/240V
	302218	REPL ELMT FINNED, 2.5F 500W/208V
	302219	REPL ELMT FINNED, 3F 750W/208V
	302220	REPL ELMT FINNED, 4F 1000W/208V
	302221	REPL ELMT FINNED, 5F 1250W/208V
	302222	REPL ELMT FINNED, 6F 1500W/208V
	302224	REPL ELMT FINNED, 5F 2000W/208V
	302226	REPL ELMT FINNED, 8F 2500W/208V
4	040001	BUSHING NYLON 3/8 ELEMENT
	050312	10# CARPLARY LIMIT
	050311	LIMIT 2.5F500
	050312	LIMIT 3F750
	050313	LIMIT 4F1000
	050314	LIMIT 5F1250
	050315	LIMIT 6F1500
	050317	LIMIT 8F2000/8F2500
	050318	LIMIT 10F2500
6	300301	F SERIES, COVER, BB
	300302	COVER 2.5F (30") ALMOND
	300303	COVER 3F ALMOND
	300304	COVER 4F ALMOND
	300305	COVER 5F ALMOND
	300306	COVER 6F ALMOND
	300308	COVER 8F ALMOND
	300309	COVER 10F ALMOND
	300310	COVER 2F (24") WHITE
	300311	COVER 2.5F (30") WHITE
	300312	COVER 3F WHITE
	300313	COVER 4F WHITE
	300314	COVER 5F WHITE
	300315	COVER 6F WHITE
	300317	COVER 8F WHITE
	300318	COVER 10F WHITE
7	300701	PLATE END, EMBOSSED, ALMOND
	300702	PLATE END, EMBOSSED, WHITE
8	14910	BTFF1A BB STAT SP ALMOND
	14915	BTFF1W BB STAT SP WHITE
	14920	BTFF2A BB STAT DP ALMOND
	14925	BTFF2W BB STAT DP WHITE
9	051211	STAT 58T1, SP 25A, BTFF1, C, CS, CTT1
	051206	STAT 58T2 DP 25A, BTFF2, CTT2, UCT2, EBK
10	300704	PLATE STAT BTFF ALMOND
	300705	PLATE STAT BTFF WHITE
11	040046	KNOB BTFF1A/UPFTA SP ALMOND
	040038	KNOB BTFF1W/UPFW SP WHITE
	040047	KNOB BTFF2 DP ALMOND
	040039	KNOB BTFF2 DP WHITE

**BASEBOARD F SERIES ASSEMBLY EXPLODED VIEW**

CREATED JULY, 2011



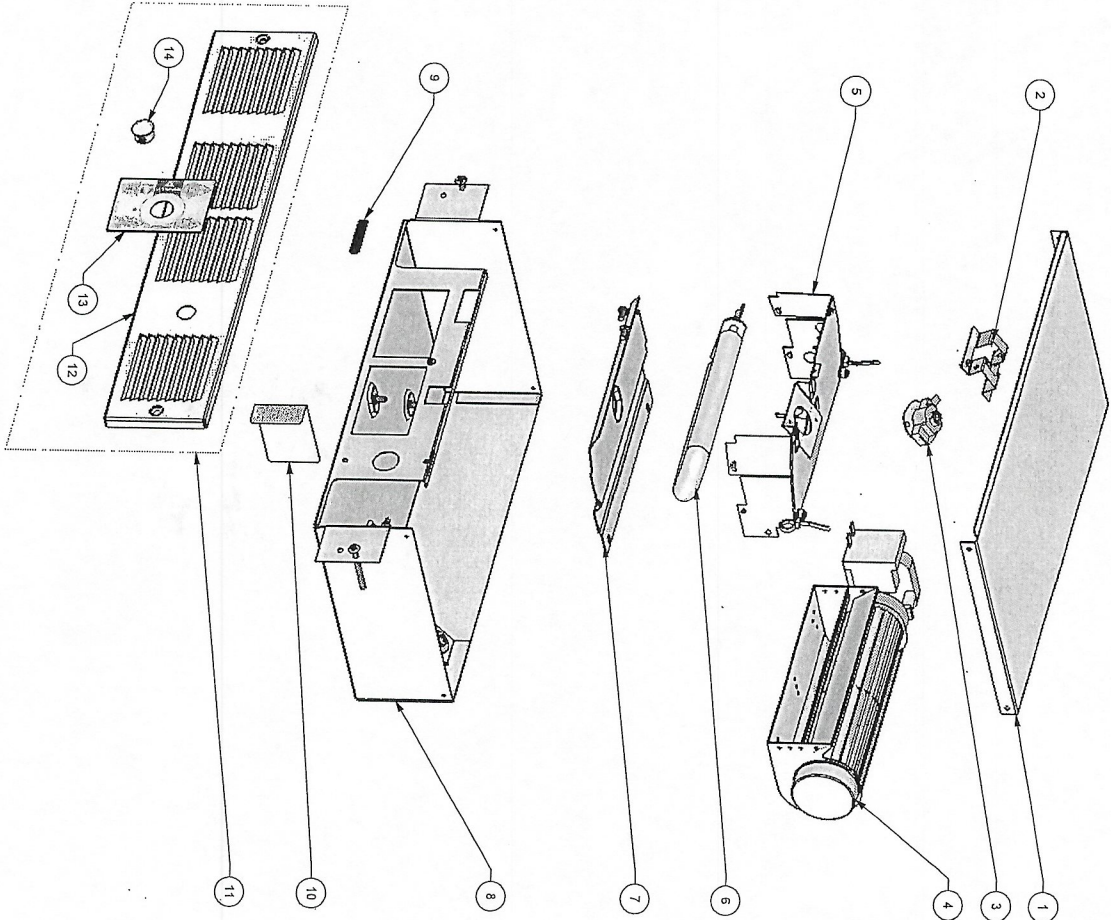
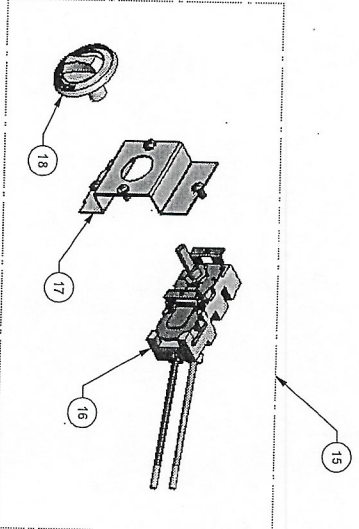
**CADET**®  
 Ph: 360.693.2505  
 www.cadeco.com

For Verification of exact diagram for your heater contact Cadet's Technical Department.

# THE PERFECTOE UC SERIES (SERIES 2000) EXPLODED VIEW

CREATED SEPTEMBER, 2011

ITEM NO.	PART NUMBER	DESCRIPTION
1	140509	WALL CAN LID, UC SERIES 2000, BLK
2	120109	COVER, LIMIT, BRM/UC, BLK
3	053119	LIMIT RESET, UC 215F, MANUAL
4	050701	BLWR, UC 240V
5	050702	BLWR, UC 120V
6	140511	HEATBOX COVER ASSY, UC, BLK
7	053938	ELMT SPIRAL, UC101, 1000W/120V
8	053940	ELMT SPIRAL, UC102, 1000W/240V
9	140403	HEATBOX BTM, UC SERIES 2000, BLK
10	140203	WALL CAN, UC SERIES 2000, BLK
11	072325	LABEL, RESET, RM, SL, NLW
12	070416	LABEL, RATING/CLEANING, UC072
13	070417	LABEL, RATING/CLEANING, UC101
14	070418	LABEL, RATING/CLEANING, UC102
15	140311	UC GRILL ASSY, BLK
16	140312	UC GRILL ASSY, WHT
17	140309	GRILL, UC SERIES 2000, BLK
18	140308	GRILL, UC SERIES 2000, WHT
19	070359	LABEL, ANSI WARNING, UC
20	080704	PLUG HEYCO DP-625 BLK
21	060706	PLUG HEYCO DP-625 WHT
22	66075	UCT1B PERFECTOE STAT KIT SP BLK
23	66076	UCT1W PERFECTOE STAT KIT SP WHT
24	66077	UCT12W PERFECTOE STAT KIT DP BLK
25	66078	UCT2W PERFECTOE STAT KIT DP WHT
26	051211	STAT 5817 SP 25A, BTF1, C, CS, CTT4, CM, UC
27	051206	STAT 5817 DP 25A, BTF2, CTT2, UC12, EBRK
28	140107	BRKT, STAT-ROTATED UC, FAB
29	040002	KNOB, UC, SP, BLK
30	040004	KNOB, UC, SP, WHT
31	040062	KNOB, C/CS/CT/CST/CM/UC, SP, WHT
32	040066	KNOB, C/CS/CT/CST/CM/UC, DP, WHT
33	040066	KNOB, UC12 BLK, W/OFF

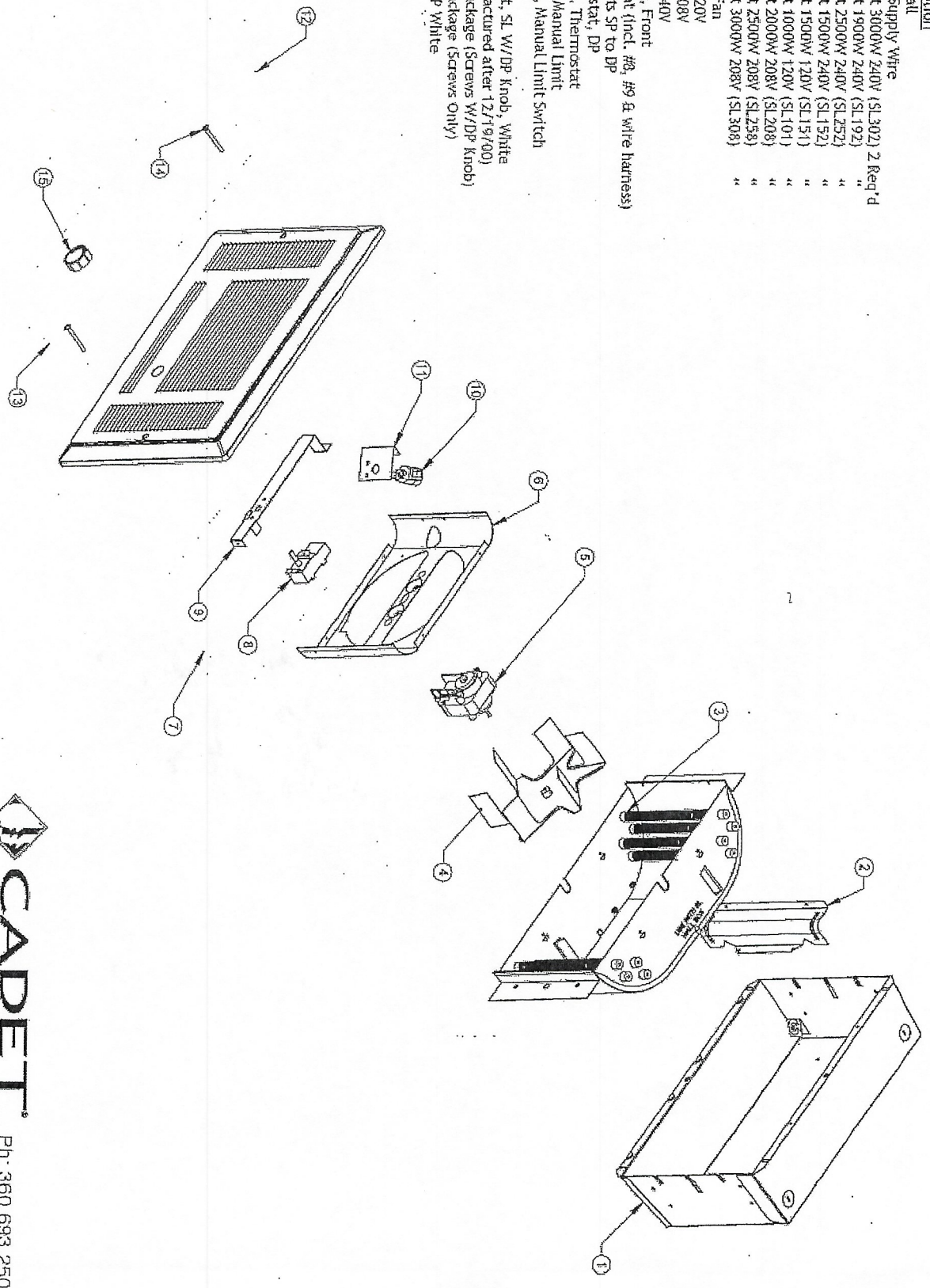


**CADET**<sup>®</sup>  
 Ph: 360.693.2505  
 www.cadeco.com

For verification of exact diagram for your heater contact Cadet's Technical Department.

# THE SL SERIES.

Item #	Part #	Description
1	79239	Can, Wall
2	230035	Cover, Supply Wire
3	054203	Element 3000W 240V (SL302) 2 Req'd
	054204	Element 1900W 240V (SL192) "
	054205	Element 2500W 240V (SL252) "
	054206	Element 1500W 240V (SL152) "
	054207	Element 1500W 120V (SL151) "
	054209	Element 1000W 120V (SL101) "
	054210	Element 2000W 208V (SL208) "
	054211	Element 2500W 208V (SL258) "
	054212	Element 3000W 208V (SL308) "
4	230033	Blade, Fan
5	051431	Motor 120V
	H/A	Motor 208V
6	051429	Motor 240V
7	230102	Housing, Front
8	051226	Kit, Stat (incl. #9, #9 & wire harness)
9	230040	*Converts SP to DP
10	053106	Thermostat, DP
11	230036	Bracket, Thermostat Switch, Manual Limit
12	230107	Bracket, Manual Limit Switch
13	100730	*Gill Kit, SL W/DP Knob, White
14	120704	*Manufactured after 12/19/00)
15	040072	Parts Package (Screws W/DP Knob, DP White



**CADETT**

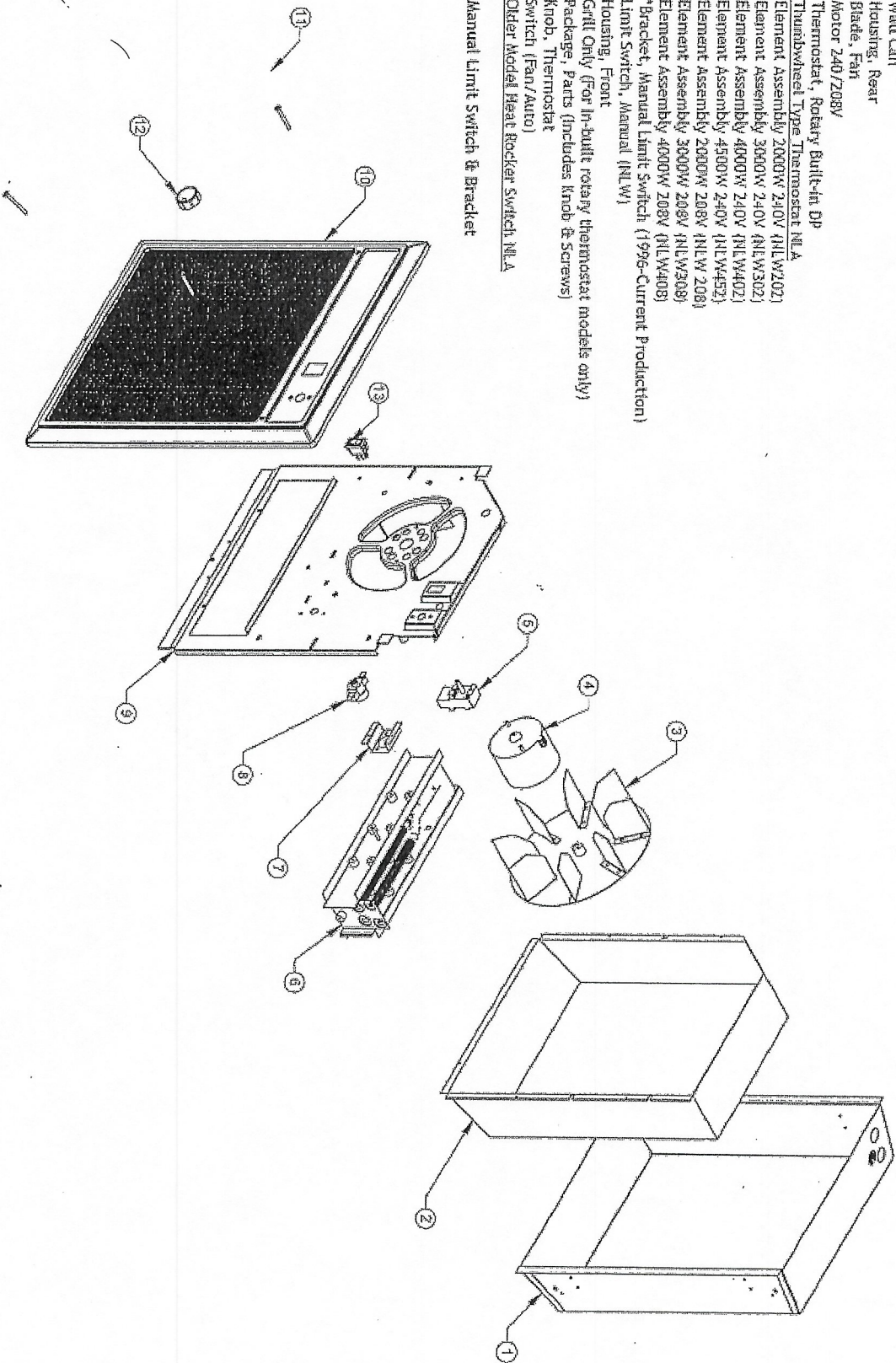
Ph: 360.693.2505

142000000 only. For replacement of select range units from various electrical CADETT's National Department.

## THE NLW SERIES

Item #	Part #	Description
1	79214	Wall Can
2	N/A	Housing, Rear
3	230124	Blade, Fan
4	051430	Motor 240/208V
5	051226	Thermostat, Rotary Built-in DP
6	230117	Thumbwheel Type Thermostat NL A
	230118	Element Assembly 2000W 240V (NLW202)
	230119	Element Assembly 3000W 240V (NLW302)
	230120	Element Assembly 4000W 240V (NLW402)
	230121	Element Assembly 4500W 240V (NLW452)
	230119	Element Assembly 2000W 208V (NLW208)
	230123	Element Assembly 3000W 208V (NLW308)
7	230123	Element Assembly 4000W 208V (NLW408)
8	053105	*Bracket, Manual Limit Switch (1996-Current Production)
9	N/A	Limit Switch, Manual (NLW)
10	230104	Housing, Front
11	100778	Grill Only (For In-built rotary thermostat models only)
12	040065	Package, Parts (Includes Knob & Screws)
13	051708	Knob, Thermostat Switch (Fan/Auto)
		Older Model Heat Rocker Switch NL A

\* Pre-1996 Models Require New Manual Limit Switch & Bracket

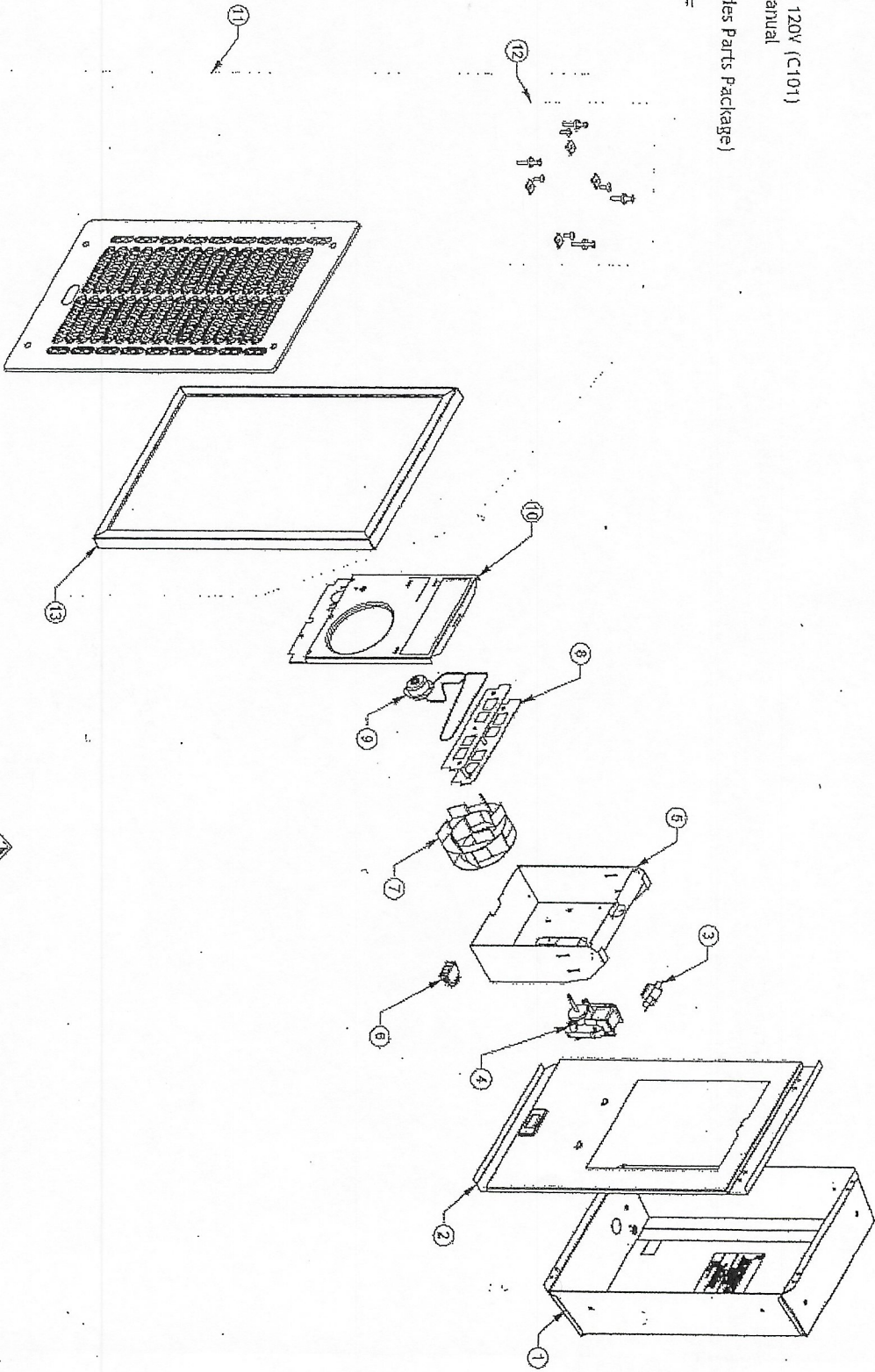


**CADETT**

Ph: 360.693.2505

For information only. For verification of parts, refer to your model number. Contact CadeTT Tech. and Design Dept.

Item #	Part #	Description
1	79243	Wall Can, RBFC
2	230151	Adapter Plate, RBF
3	100750	One Shot Limit Kit (inc. 2 pop-rivets)
4	051422	Motor, 120 Volt
5	N/A	Housing, Rear
6	230160	Switch Kit, RBF
7	040040	Blower
8	054002	Element 1000W 120V (C101)
9	053112	Limit Switch, Manual
10	N/A	Housing, Front
11	79244	Kit, Grill (Includes Parts Package)
12	100745	Parts Pkg., RBF
13	230154	Grill Frame, RBF



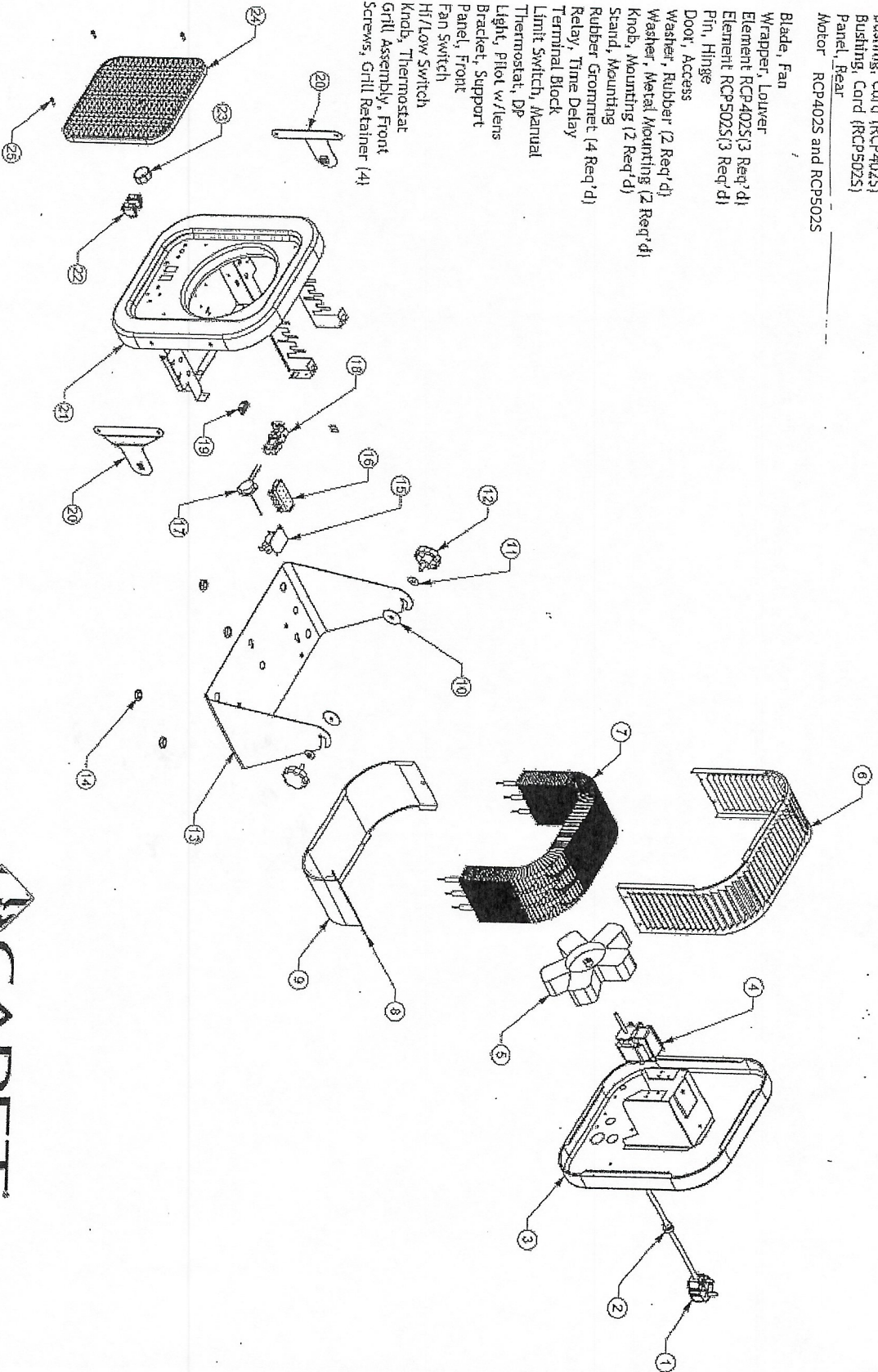
Components shown are for RBF heaters manufactured prior to 8/3/2009

RBF heaters manufactured after 8/3/2009-Contact Cadet



# THE HOT ONE RCP Series

Item #	Part #	Description
1	051901	Cord, Power (RCP402S)
2	051903	Cord, Power (RCP502S)
3	051302	Bushing, Cord (RCP402S)
4	051304	Bushing, Cord (RCP502S)
5	N/A	Panel, Rear
6	051424	Motor RCP402S and RCP502S
7	001601	Blade, Fan
8	401201	Wrapper, Lower
9	401723	Element RCP402S(3 Req'd)
10	401726	Element RCP502S(3 Req'd)
11	400103	Pin, Hinge
12	401301	Door, Access
13	001701	Washer, Rubber (2 Req'd)
14	060609	Washer, Metal Mounting (2 Req'd)
15	040023	Knob, Mounting (2 Req'd)
16	400702	Stand, Mounting
17	003501	Rubber Grommet (4 Req'd)
18	050520	Relay, Time Delay
19	052409	Terminal Block
20	050327	Limit Switch, Manual
21	051226	Thermostat, DP
22	050524	Light, Pilot w/Lens
23	410109	Bracket, Support
24	N/A	Panel, Front
25	051707	Fan Switch
	051707	Ht/Low Switch
	040019	Knob, Thermostat
	410102	Grill Assembly, Front
	060211	Screws, Grill Retainer (4)



**CADET**

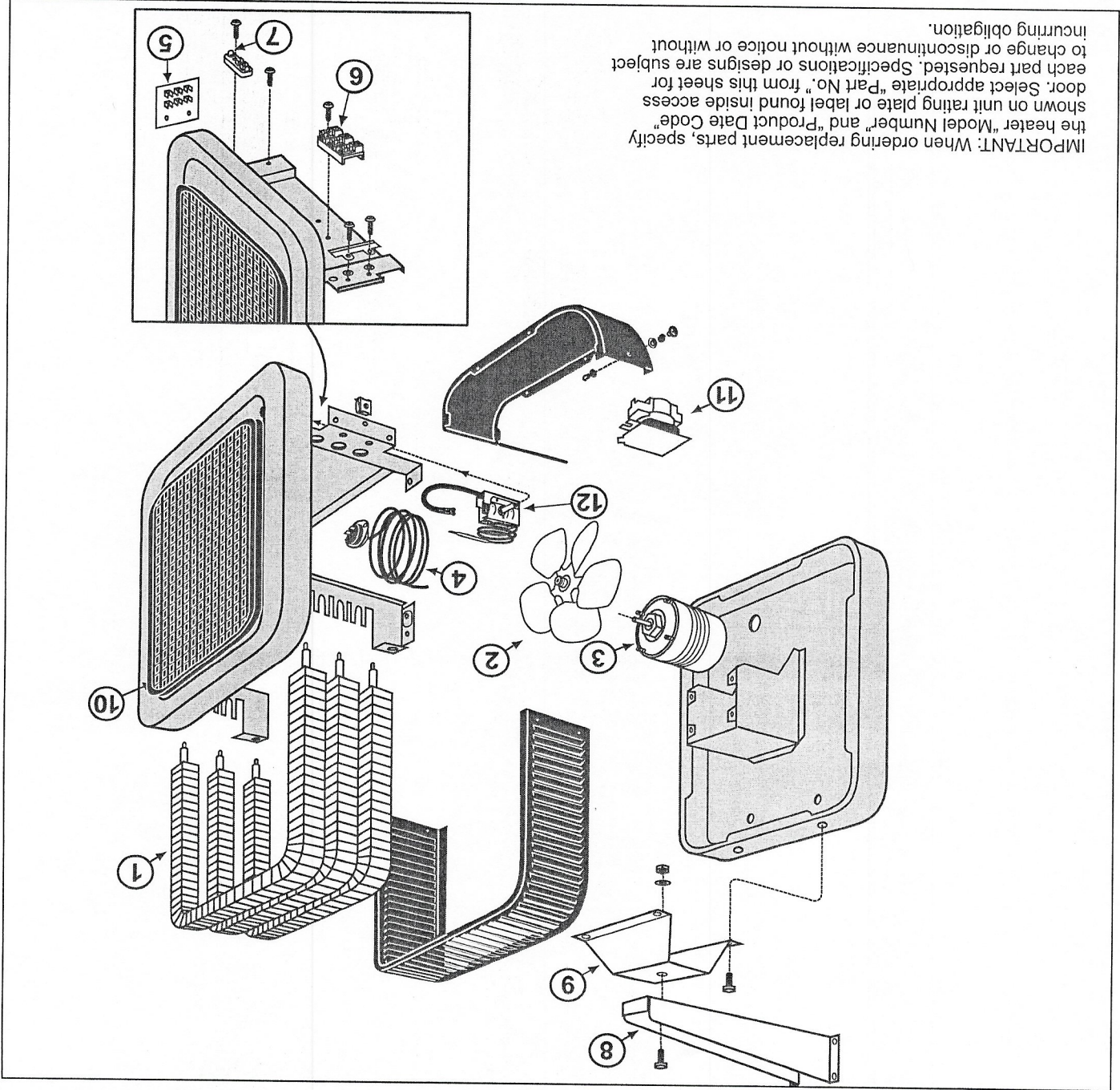
Ph: 360.693.2505

For information only. For verification of exact design and/or full details, contact Cadet's Technical Department.

# CEH Series

## MAINTAINING YOUR HEATER (continued)

### Parts List



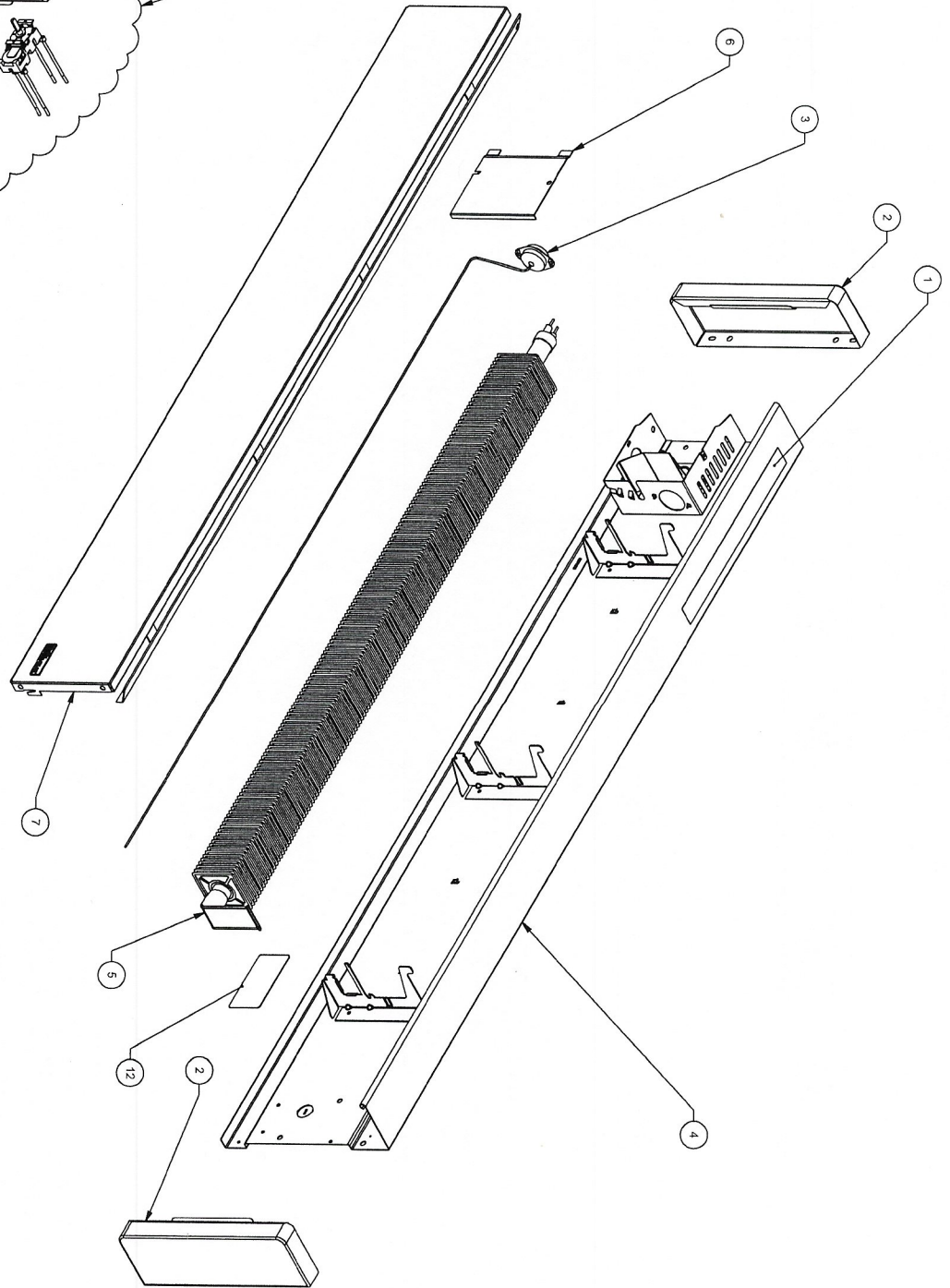
IMPORTANT: When ordering replacement parts, specify the heater "Model Number" and "Product Date Code" shown on unit rating plate or label found inside access door. Select appropriate "Part No." from this sheet for each part requested. Specifications or designs are subject to change or discontinuance without notice or without incurring obligation.

- |     |        |   |
|-----|--------|---|
| 1.  | 402028 | ELEMENT SET, CEH005P                                    |
| 2.  | 001601 | FAN BLADE, CEH005P                                      |
| 3.  | 051408 | FAN MOTOR, CEH005P                                      |
| 4.  | 050326 | LIMIT, CEH005P  |
| 5.  | 052403 | TERMINAL BOARD  |
| 6.  | 052402 | JUNCTION BLOCK CEH005P                                  |
| 7.  | 052401 | TERMINAL BLOCK  |
| 8.  | 09670  | CEKWM, WALL MOUNTING ARM KIT (OPTIONAL, REQUIRES CEKM1) |
| 9.  | 09660  | CEKM1, HAT BRACKET (OPTIONAL)                           |
| 10. | 410102 | AIR DIFFUSER  |
| 11. | 050520 | FAN DELAY RELAY - 240 VOLT                              |
| 12. | 09610  | CEKTB1, SINGLE POLE BUILT-IN THERMOSTAT (OPTIONAL)      |
| 12. | 09615  | CEKTB2, TWO STAGE BUILT-IN THERMOSTAT (OPTIONAL)        |



ITEM NO.	PART NUML	DESCRIPTION
1	070867	CAUTION LABEL, SOFTHEAT
2	220001	CAP, END, EBHN, PAINTED
3	485041	CAP, END, EBHN, WHITE SAND
4	050313	LMT, EBHN500, 210DEG
5	050314	LMT, EBHN750, 210DEG
6	050315	LMT, EBHN1000, 210DEG
7	050316	LMT, EBHN1250, 210DEG
8	050316	LMT, EBHN1500, 210DEG
9	220033	REAR PANEL ASSY DWG, LH WIRE
10	433520	EBHN 240V ELEMENT ASSY
11	433520	ELMT ASSY, EBHN 750W, 240V
12	433530	ELMT ASSY, EBHN 1000W, 240V
13	433540	ELMT ASSY, EBHN 1250W, 240V
14	433550	ELMT ASSY, EBHN 1500W, 240V
15	433518	ELMT ASSY, EBHN 500W, 208V
16	433528	ELMT ASSY, EBHN 750W, 208V
17	433538	ELMT ASSY, EBHN 1000W, 208V
18	433548	ELMT ASSY, EBHN 1250W, 208V
19	433558	ELMT ASSY, EBHN 1500W, 208V
20	484921	COVER, CIRCUIT BOX, PAINTED
21	484931	CVR, CIRG BOX, EBHN WHITE
22	220020	FRT CVR ASSY, EBHN500 WHITE
23	220022	FRT CVR ASSY, EBHN750 WHITE
24	220023	FRT CVR ASSY, EBHN1000 WHITE
25	220024	FRT CVR ASSY, EBHN1250 WHITE
26	484882	FRT CVR ASSY, EBHN500, WHITE SAND
27	484883	FRT CVR ASSY, EBHN750, WHITE SAND
28	484884	FRT CVR ASSY, EBHN1000, WHITE SAND
29	484885	FRT CVR ASSY, EBHN1250, WHITE SAND
30	484886	FRT CVR ASSY, EBHN1500, WHITE SAND
31	13172	EBKNV
32	13132	EBKNWS
33	051340	STAT, 58RTD, DOUBLE POLE, EBHN
34	220000	STAT END CAP, EBKN WHITE
35	370355	STAT END CAP, EBKN WHITE SAND
36	040039	KNOB, BTFP, DP WHITE
37	---	LABEL, RATING, EBHN

## SOFTHEAT EBHN PARTS & ASSEMBLY DETAIL VIEW



IGN #	REV.	DESCRIPTION	DATE	DRAWN BY	APPROVED
2434	A	CREATE GD FOR EXPLODED DWG	11/02/2014	E.PANCIK	C.PASIN

**CADET**  
INVITING WARMTH

PHONE 360.693.2505  
www.cadetheat.com

FOR VERIFICATION OF SEAT DIAGRAM FOR YOUR HEATER, CONTACT CADET'S TECHNICAL DEPARTMENT.

INTERESTED? CONTACT:	NAME:	DATE:
TO: EBHN PARTS & ASSEMBLY	BY:	3/02/2014
TO: EBHN PARTS & ASSEMBLY	CHECKED:	
TO: EBHN PARTS & ASSEMBLY	ENG APP:	

DESCRIPTION: EBHN PARTS & ASSEMBLY  
DETAIL VIEW

SIZE: DWG NO.: 990013  
SCALE: 1:4  
SHEET 1 OF 1

8 7 6 5 4 3 2 1

8 7 6 5 4 3 2 1

THIS DOCUMENT IS THE PROPERTY OF CADET MANUFACTURING COMPANY AND ANY CONTAINING PROPRIETARY INFORMATION BY ANY MEANS SHALL NOT BE USED FOR ANY PURPOSE OTHER THAN FOR WHICH IT WAS ORIGINALLY INTENDED. IT IS TO BE RETURNED TO CADET MANUFACTURING COMPANY IN THE MANNER AND SHOULD BE DESTROYED AFTER SERVING ITS INTENDED PURPOSE.

DO NOT SCALE DRAWING